

SUPERDROID ROBOTS INC
 Ph: 919-557-9162
 Fax: 775-416-2595

PROPRIETARY AND CONFIDENTIAL
 THE INFORMATION CONTAINED IN THIS DRAWING IS THE SOLE PROPERTY OF SUPERDROID ROBOTS INC. ANY REPRODUCTION IN PART OR AS A WHOLE WITHOUT THE WRITTEN PERMISSION OF SUPERDROID ROBOTS INC IS PROHIBITED.

UNLESS OTHERWISE SPECIFIED:
 DIMENSIONS ARE IN INCHES
 ANGULAR: 0.5 deg
 TWO PLACE DECIMAL ±0.03
 THREE PLACE DECIMAL ±0.005

COMMENTS:

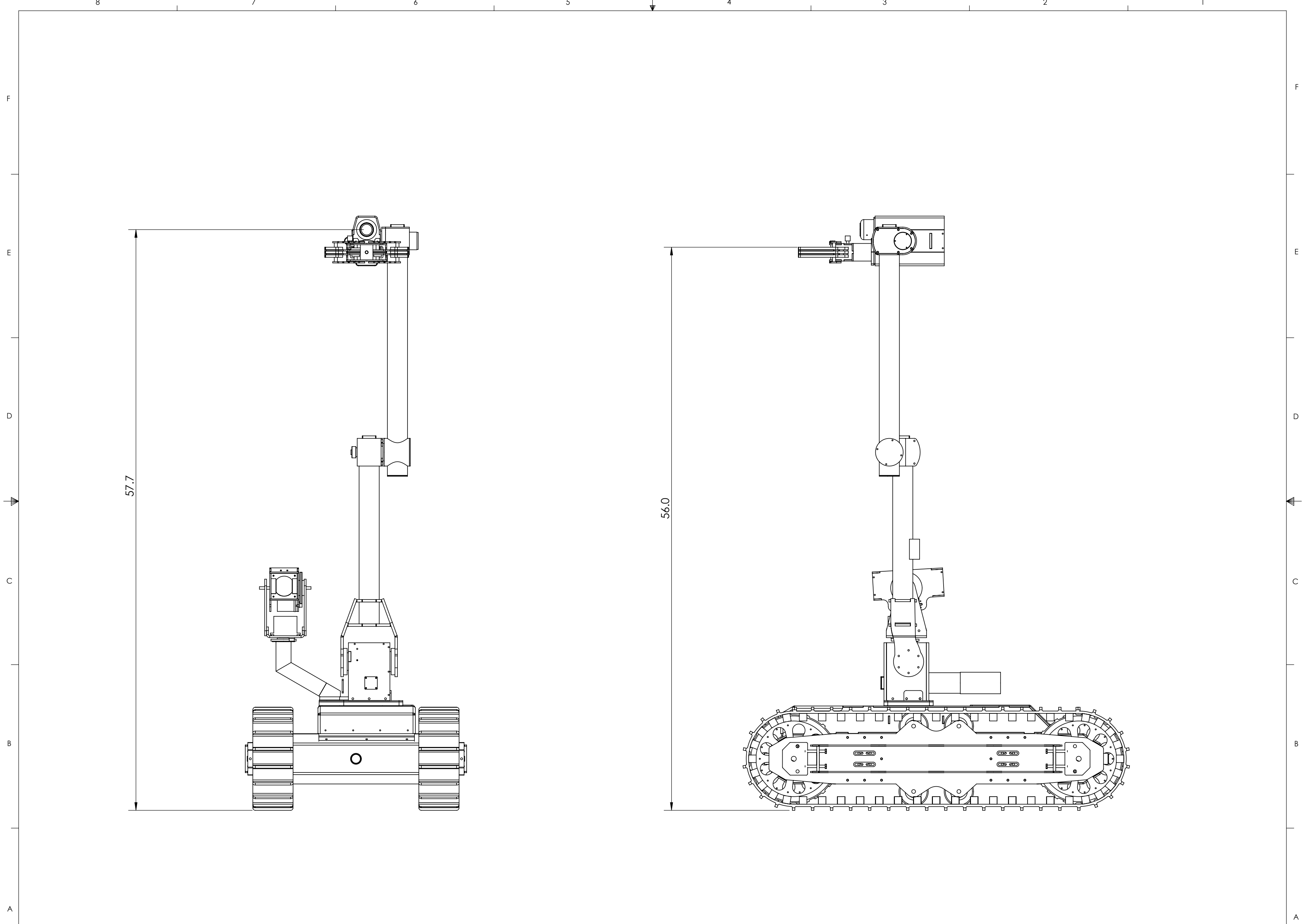
SIZE DWG. NO.
C HD2+2W_6Axis

REV
 2-24-16

SCALE: 1:6

MATERIAL:

SHEET 1 OF 4



SUPERDROID ROBOTS INC
 Ph: 919-557-9162
 Fax: 775-416-2595

PROPRIETARY AND CONFIDENTIAL

THE INFORMATION CONTAINED IN THIS DRAWING IS THE SOLE PROPERTY OF SUPERDROID ROBOTS INC. ANY REPRODUCTION IN PART OR AS A WHOLE WITHOUT THE WRITTEN PERMISSION OF SUPERDROID ROBOTS INC IS PROHIBITED.

UNLESS OTHERWISE SPECIFIED:
 DIMENSIONS ARE IN INCHES
 ANGULAR: 0.5 deg
 TWO PLACE DECIMAL ±0.03
 THREE PLACE DECIMAL ±0.005

COMMENTS:

SIZE DWG. NO.

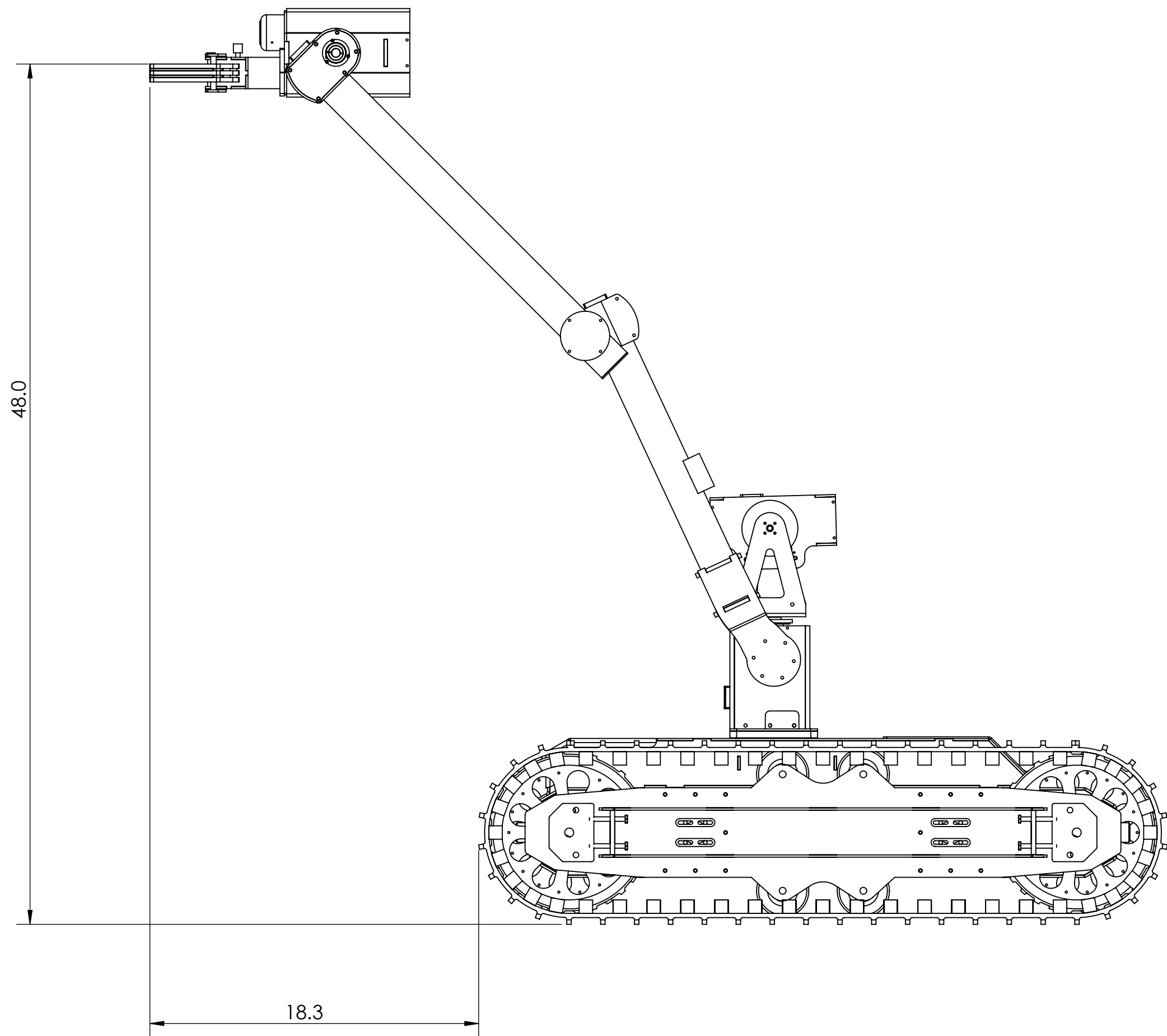
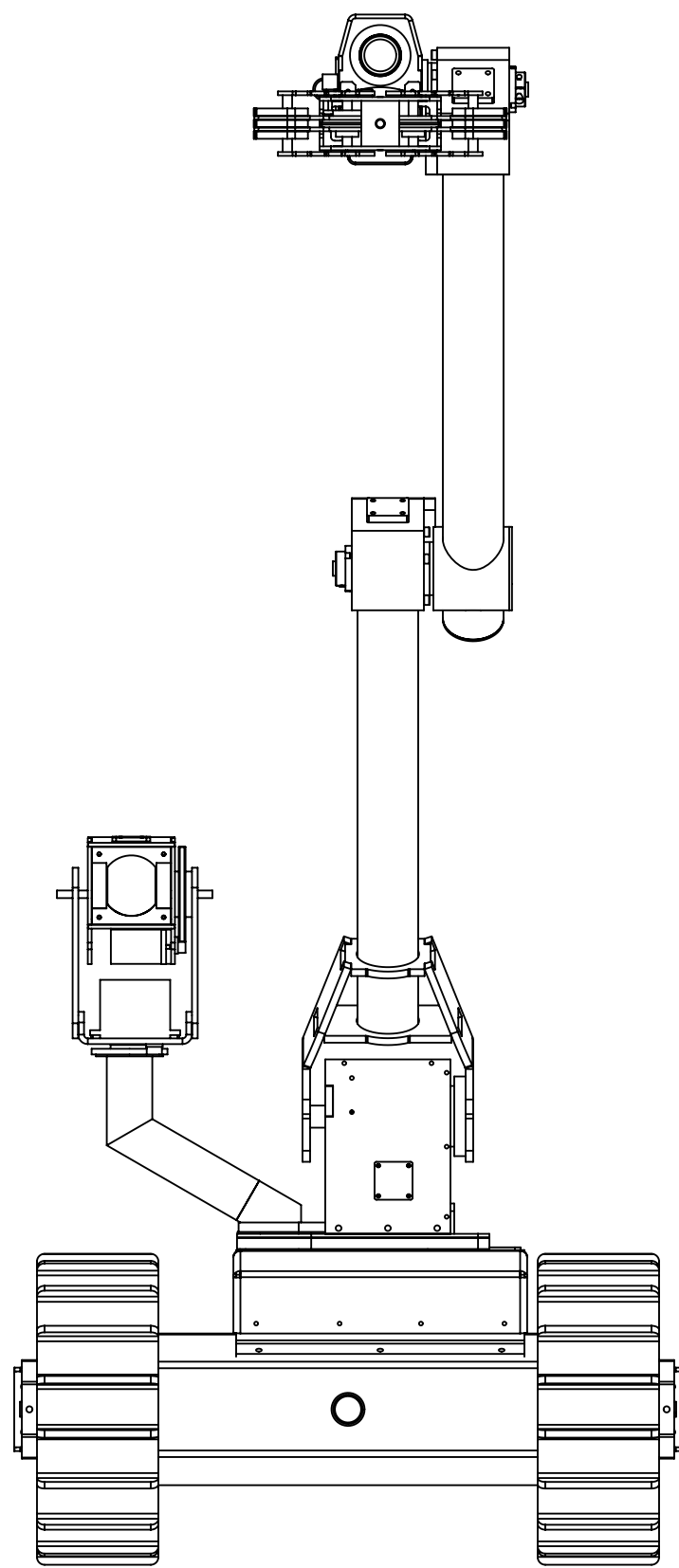
C HD2+2W_6Axis

REV 7-22-16

SCALE: 1:6

MATERIAL:

SHEET 5 OF 5



SUPERDROID ROBOTS INC

Ph: 919-557-9162
Fax: 775-416-2595

PROPRIETARY AND CONFIDENTIAL

THE INFORMATION CONTAINED IN THIS DRAWING IS THE SOLE PROPERTY OF SUPERDROID ROBOTS INC. ANY REPRODUCTION IN PART OR AS A WHOLE WITHOUT THE WRITTEN PERMISSION OF SUPERDROID ROBOTS INC IS PROHIBITED.

UNLESS OTHERWISE SPECIFIED:
DIMENSIONS ARE IN INCHES
ANGULAR: 0.5 deg
TWO PLACE DECIMAL ±0.03
THREE PLACE DECIMAL ±0.005

COMMENTS:

SIZE DWG. NO.

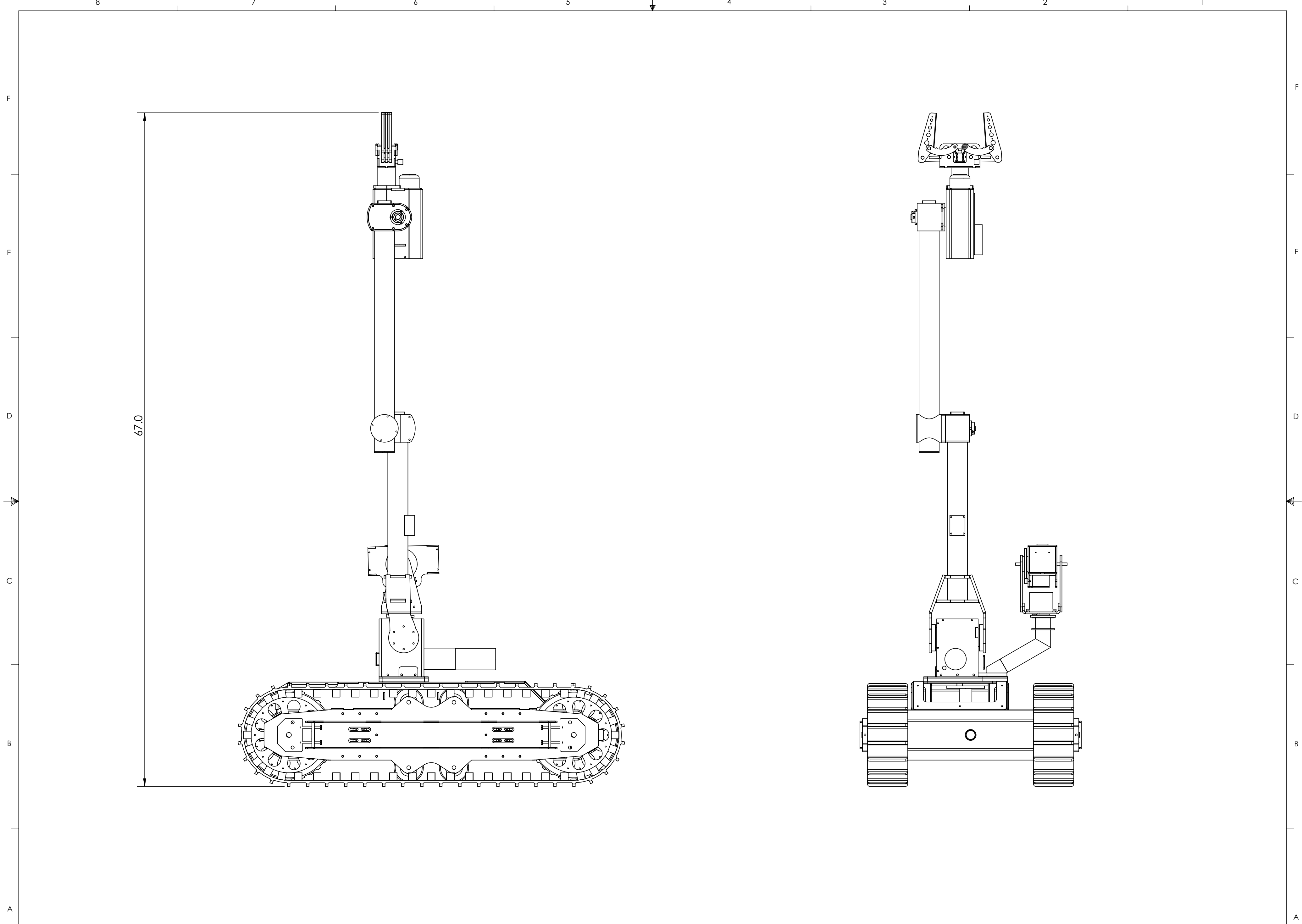
C HD2+2W_6Axis

REV 2-24-16

SCALE: 1:6

MATERIAL:

SHEET 4 OF 4



67.0

SUPERDROID ROBOTS INC
 Ph: 919-557-9162
 Fax: 775-416-2595

PROPRIETARY AND CONFIDENTIAL

THE INFORMATION CONTAINED IN THIS DRAWING IS THE SOLE PROPERTY OF SUPERDROID ROBOTS INC. ANY REPRODUCTION IN PART OR AS A WHOLE WITHOUT THE WRITTEN PERMISSION OF SUPERDROID ROBOTS INC IS PROHIBITED.

UNLESS OTHERWISE SPECIFIED:
 DIMENSIONS ARE IN INCHES
 ANGULAR: 0.5 deg
 TWO PLACE DECIMAL ±0.03
 THREE PLACE DECIMAL ±0.005

COMMENTS:

SIZE DWG. NO.

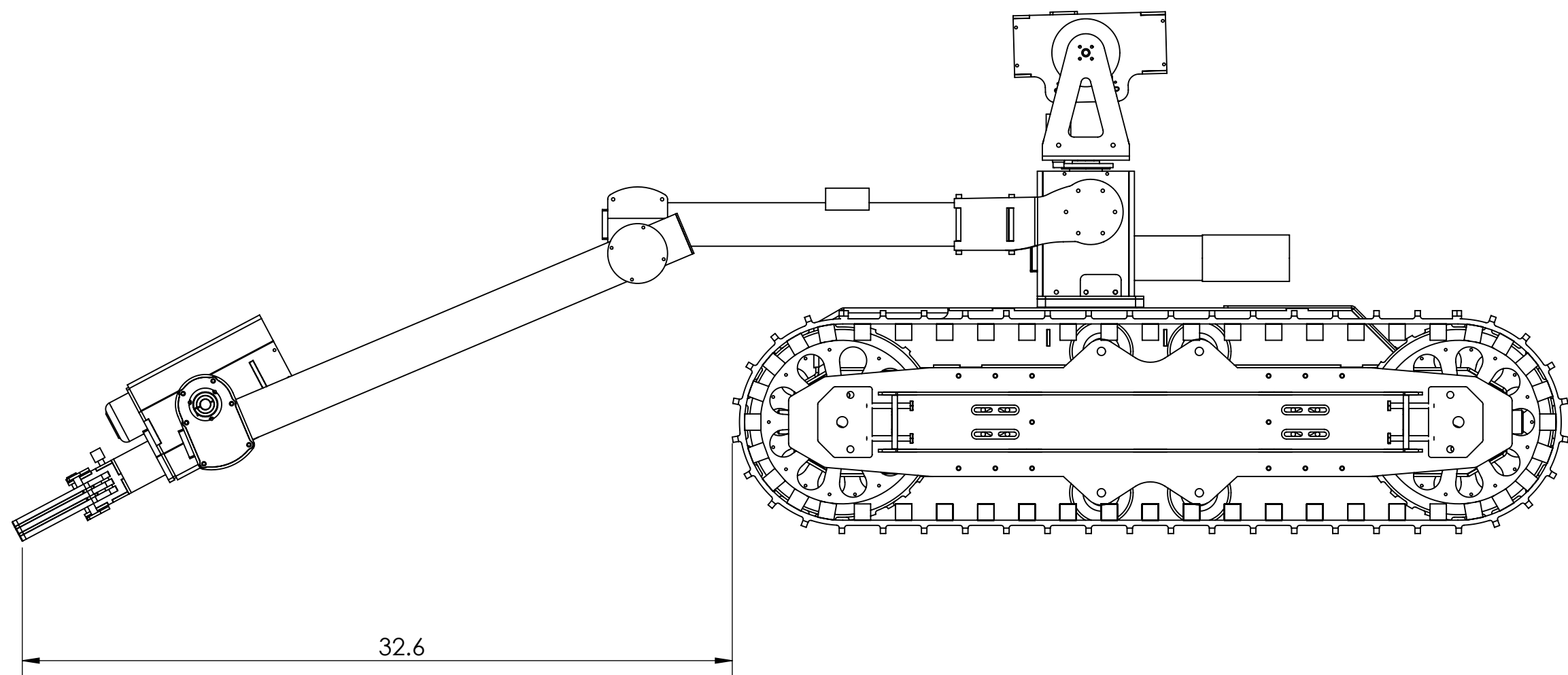
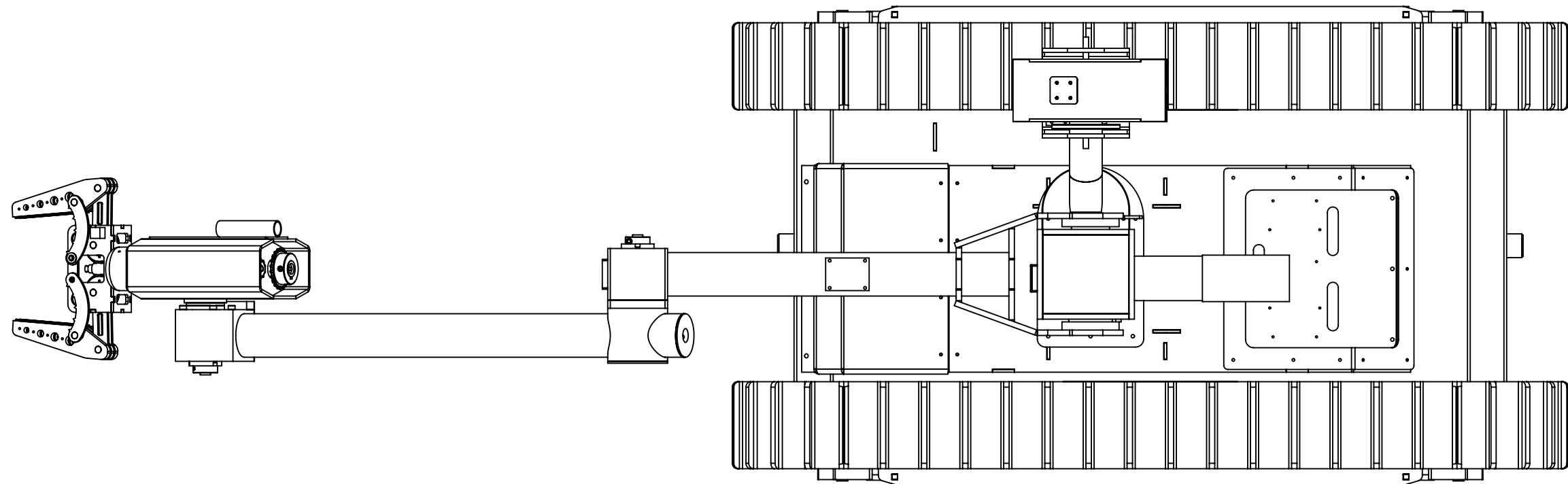
C HD2+2W_6Axis

REV 2-24-16

SCALE: 1:6

MATERIAL:

SHEET 3 OF 4



SUPERDROID ROBOTS INC

Ph: 919-557-9162
 Fax: 775-416-2595

PROPRIETARY AND CONFIDENTIAL

THE INFORMATION CONTAINED IN THIS DRAWING IS THE SOLE PROPERTY OF SUPERDROID ROBOTS INC. ANY REPRODUCTION IN PART OR AS A WHOLE WITHOUT THE WRITTEN PERMISSION OF SUPERDROID ROBOTS INC IS PROHIBITED.

UNLESS OTHERWISE SPECIFIED:
 DIMENSIONS ARE IN INCHES
 ANGULAR: 0.5 deg
 TWO PLACE DECIMAL ±0.03
 THREE PLACE DECIMAL ±0.005

COMMENTS:

SIZE DWG. NO.

C HD2+2W_6Axis

SCALE: 1:6

MATERIAL:

REV 2-24-16

SHEET 2 OF 4