

**SUPERDROID ROBOTS INC**

Ph: 919-557-9162  
 Fax: 775-416-2595

**PROPRIETARY AND CONFIDENTIAL**

THE INFORMATION CONTAINED IN THIS DRAWING IS THE SOLE PROPERTY OF SUPERDROID ROBOTS INC. ANY REPRODUCTION IN PART OR AS A WHOLE WITHOUT THE WRITTEN PERMISSION OF SUPERDROID ROBOTS INC IS PROHIBITED.

UNLESS OTHERWISE SPECIFIED:  
 DIMENSIONS ARE IN INCHES  
 ANGULAR: 0.5 deg  
 TWO PLACE DECIMAL ±0.03  
 THREE PLACE DECIMAL ±0.005

COMMENTS:

SIZE DWG. NO.

**C** LT2-F\_arm\_Bulldog

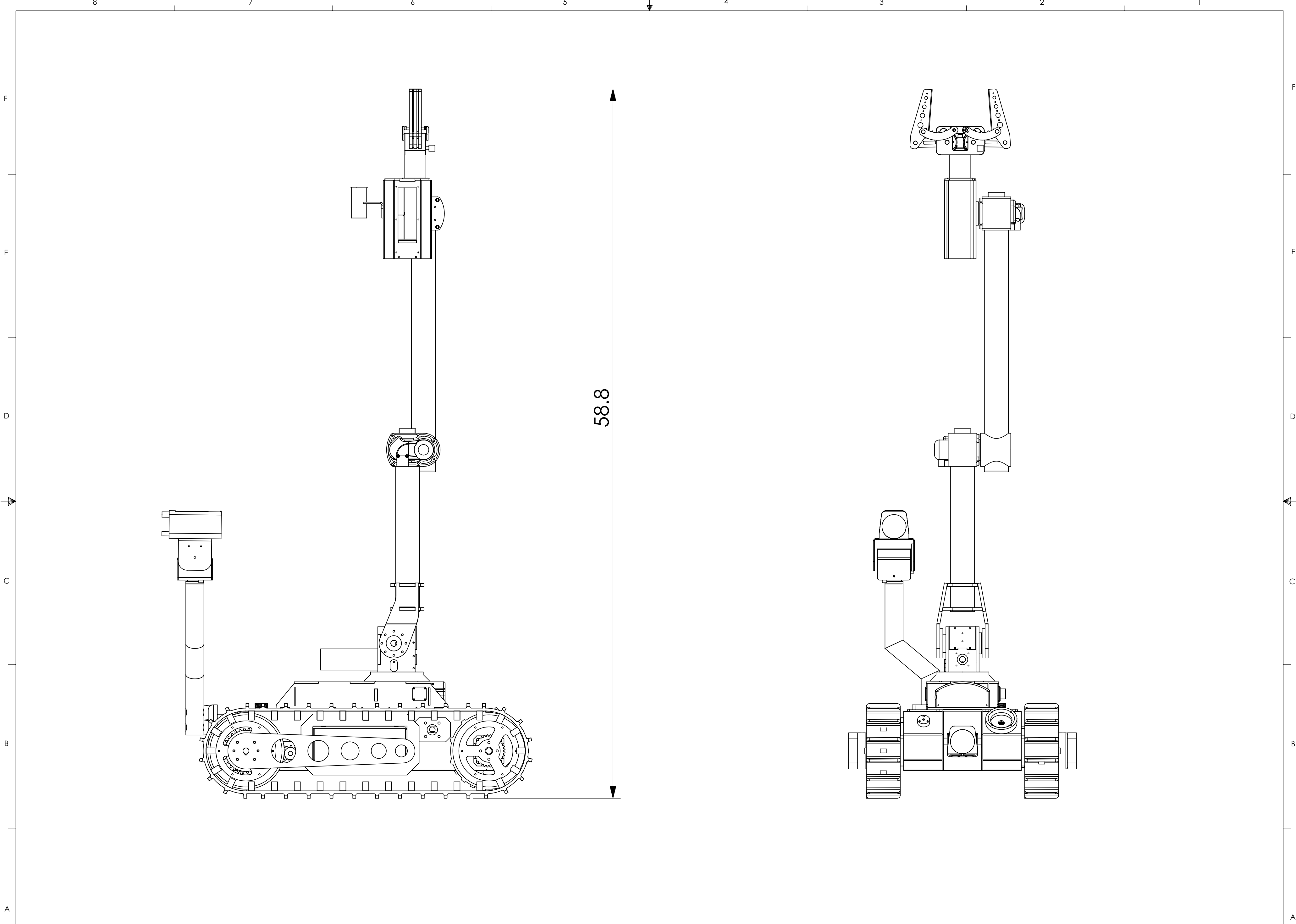
REV

**6/14/17**

SCALE: 1:5

MATERIAL:

SHEET 3 OF 5



**SUPERDROID ROBOTS INC**  
 Ph: 919-557-9162  
 Fax: 775-416-2595

**PROPRIETARY AND CONFIDENTIAL**

THE INFORMATION CONTAINED IN THIS DRAWING IS THE SOLE PROPERTY OF SUPERDROID ROBOTS INC. ANY REPRODUCTION IN PART OR AS A WHOLE WITHOUT THE WRITTEN PERMISSION OF SUPERDROID ROBOTS INC IS PROHIBITED.

UNLESS OTHERWISE SPECIFIED:  
 DIMENSIONS ARE IN INCHES  
 ANGULAR: 0.5 deg  
 TWO PLACE DECIMAL ±0.03  
 THREE PLACE DECIMAL ±0.005

COMMENTS:

SIZE

DWG. NO.

**C**

LT2-F\_arm\_Bulldog

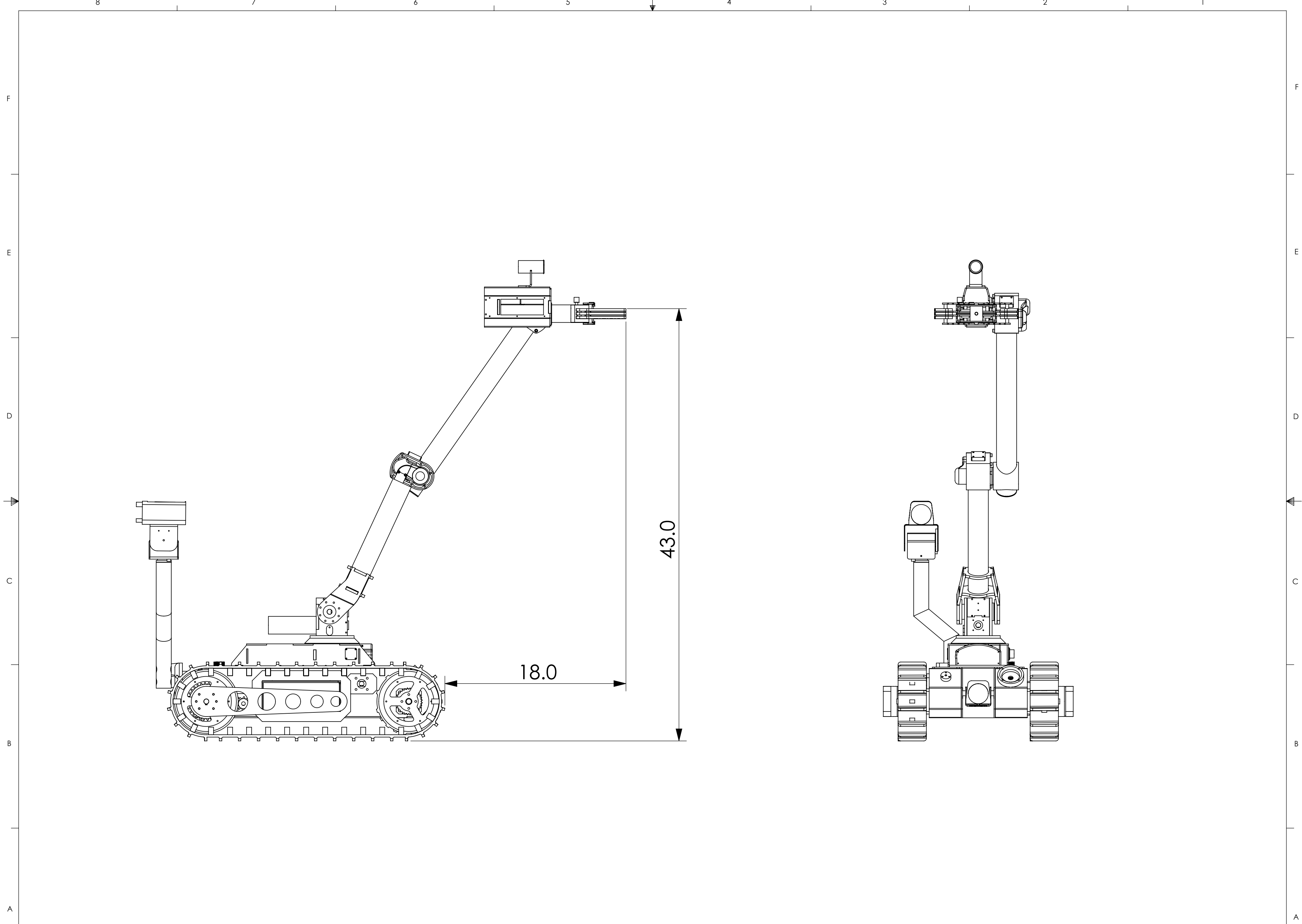
REV

6/14/17

SCALE: 1:5

MATERIAL:

SHEET 2 OF 5



**SUPERDROID ROBOTS INC**  
 Ph: 919-557-9162  
 Fax: 775-416-2595

**PROPRIETARY AND CONFIDENTIAL**

THE INFORMATION CONTAINED IN THIS DRAWING IS THE SOLE PROPERTY OF SUPERDROID ROBOTS INC. ANY REPRODUCTION IN PART OR AS A WHOLE WITHOUT THE WRITTEN PERMISSION OF SUPERDROID ROBOTS INC IS PROHIBITED.

UNLESS OTHERWISE SPECIFIED:  
 DIMENSIONS ARE IN INCHES  
 ANGULAR: 0.5 deg  
 TWO PLACE DECIMAL ±0.03  
 THREE PLACE DECIMAL ±0.005

COMMENTS:

SIZE

**C**

DWG. NO.

LT2-F\_arm\_Bulldog

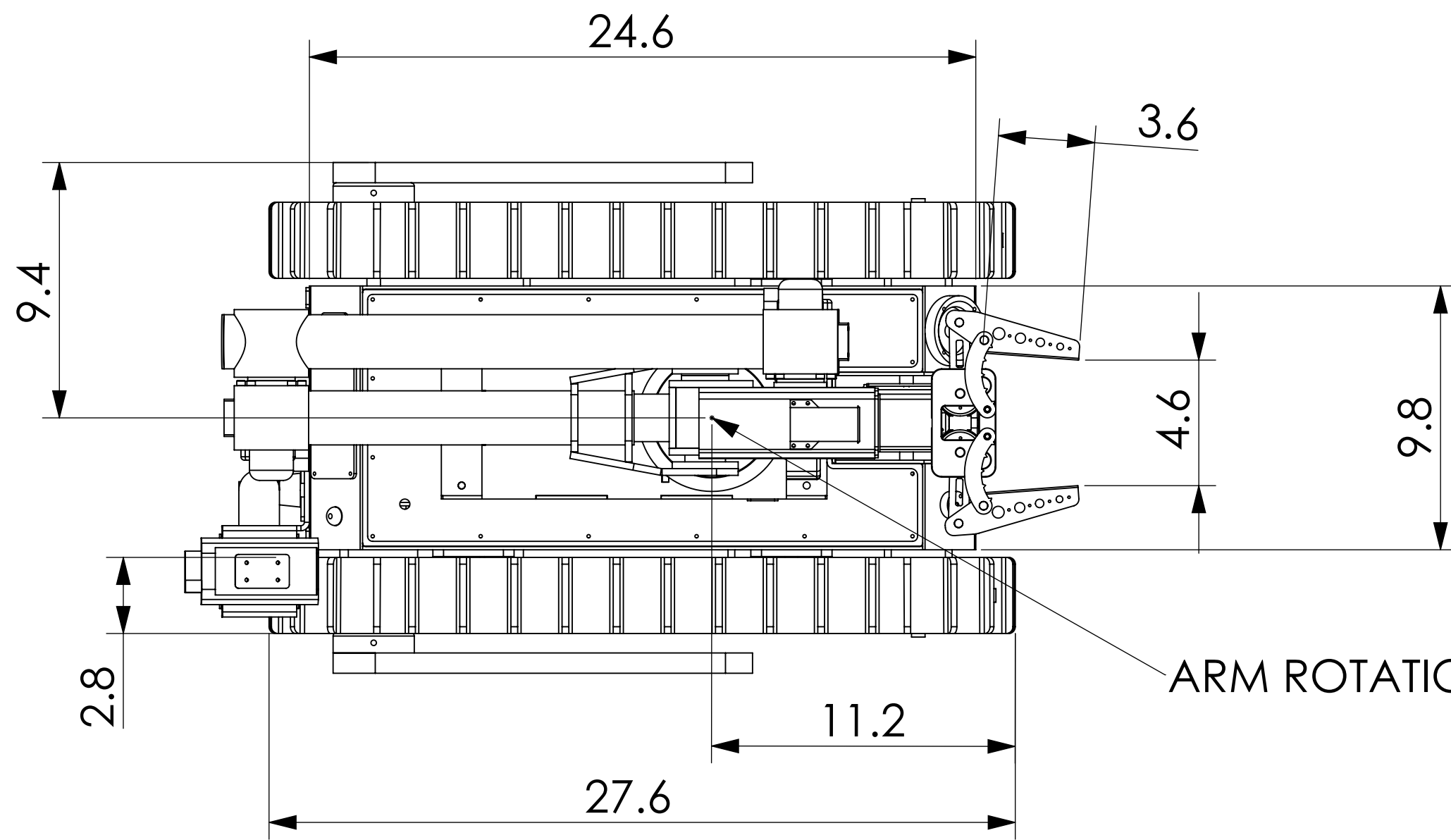
SCALE: 1:6

MATERIAL:

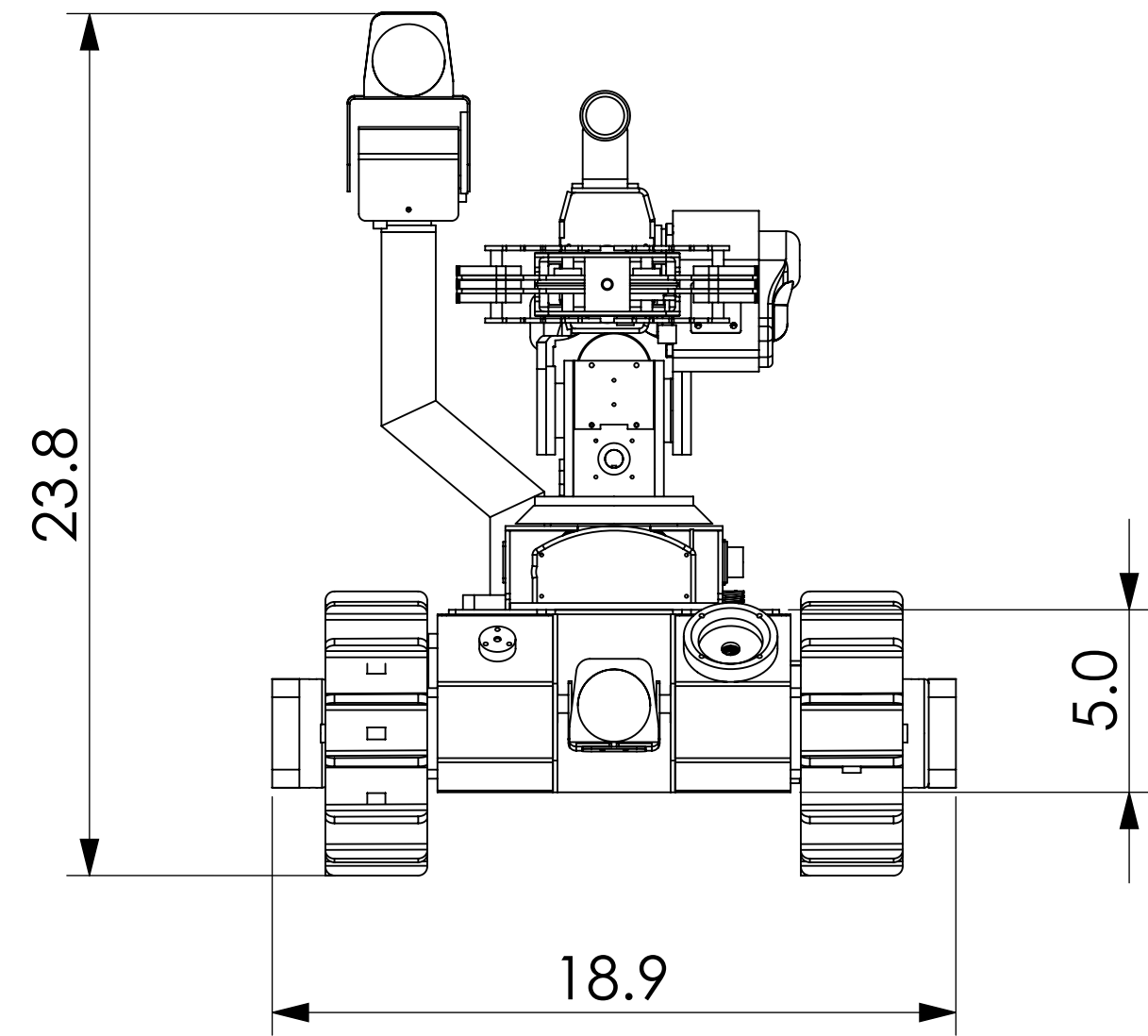
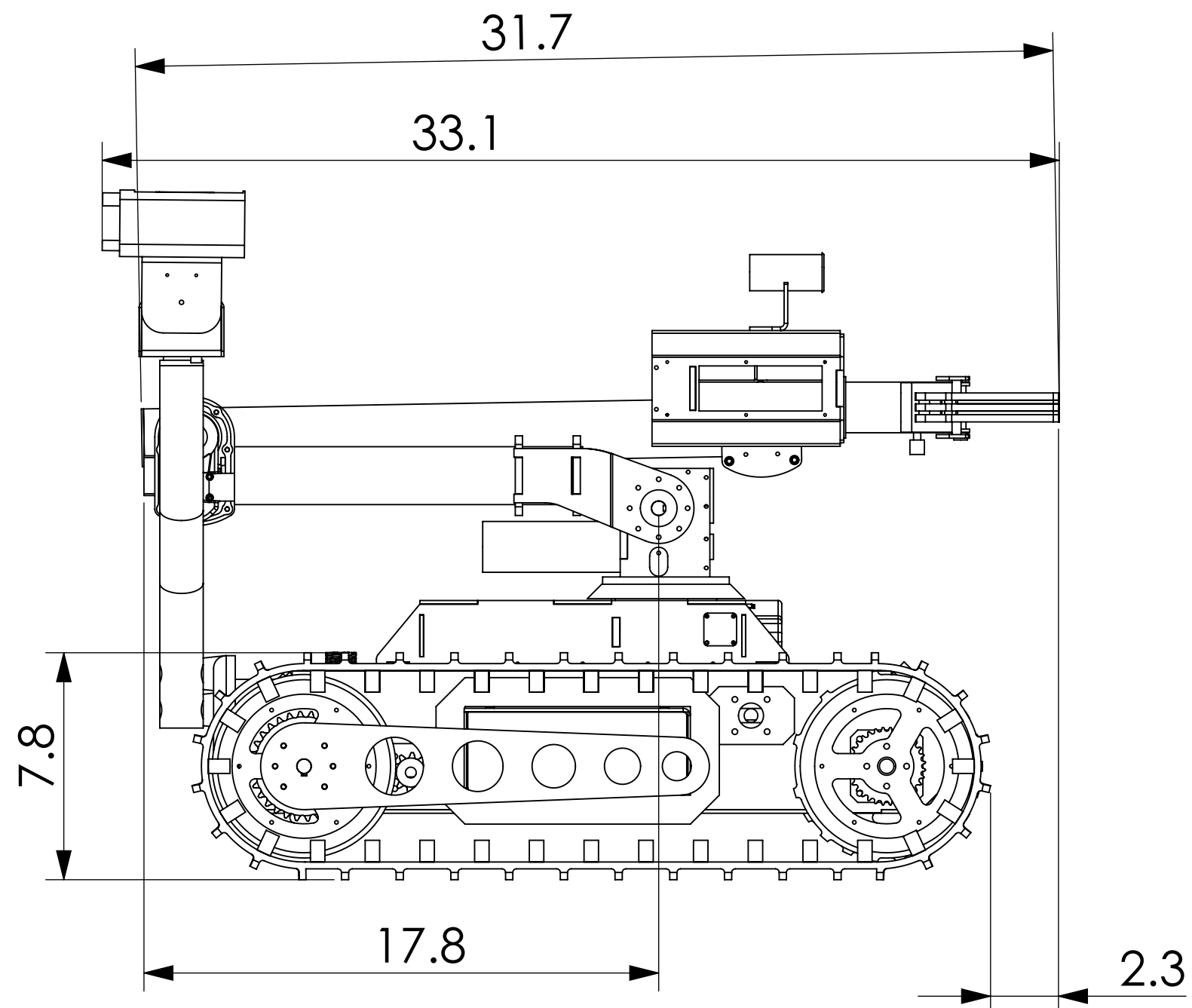
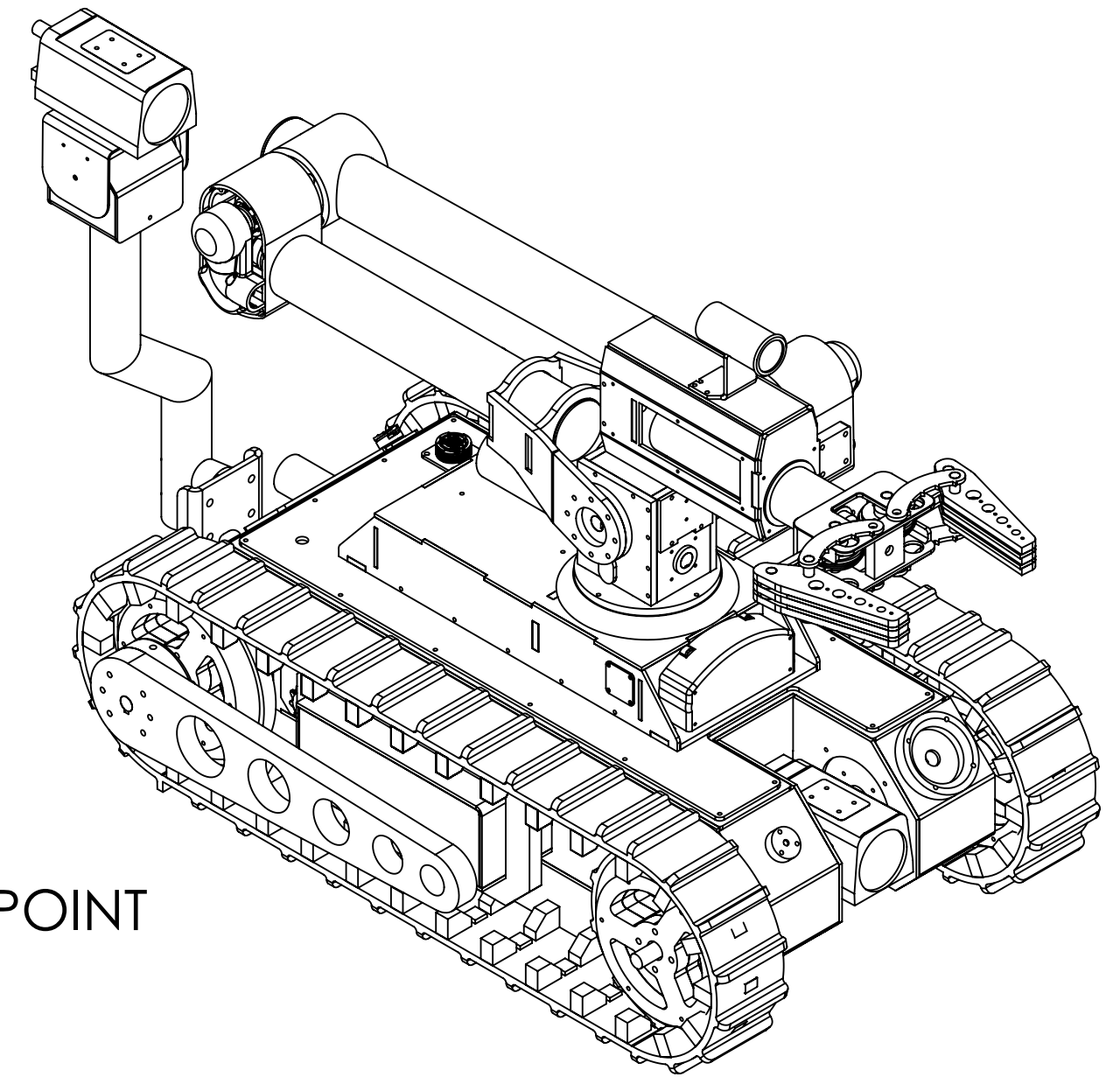
REV

6/14/17

SHEET 4 OF 5



ARM ROTATION CENTER POINT



**SUPERDROID ROBOTS INC**

Ph: 919-557-9162  
Fax: 775-416-2595

**PROPRIETARY AND CONFIDENTIAL**

THE INFORMATION CONTAINED IN THIS DRAWING IS THE SOLE PROPERTY OF SUPERDROID ROBOTS INC. ANY REPRODUCTION IN PART OR AS A WHOLE WITHOUT THE WRITTEN PERMISSION OF SUPERDROID ROBOTS INC IS PROHIBITED.

UNLESS OTHERWISE SPECIFIED:  
DIMENSIONS ARE IN INCHES  
ANGULAR: 0.5 deg  
TWO PLACE DECIMAL ±0.03  
THREE PLACE DECIMAL ±0.005

COMMENTS:

SIZE DWG. NO.

**C** LT2-F\_arm\_Bulldog

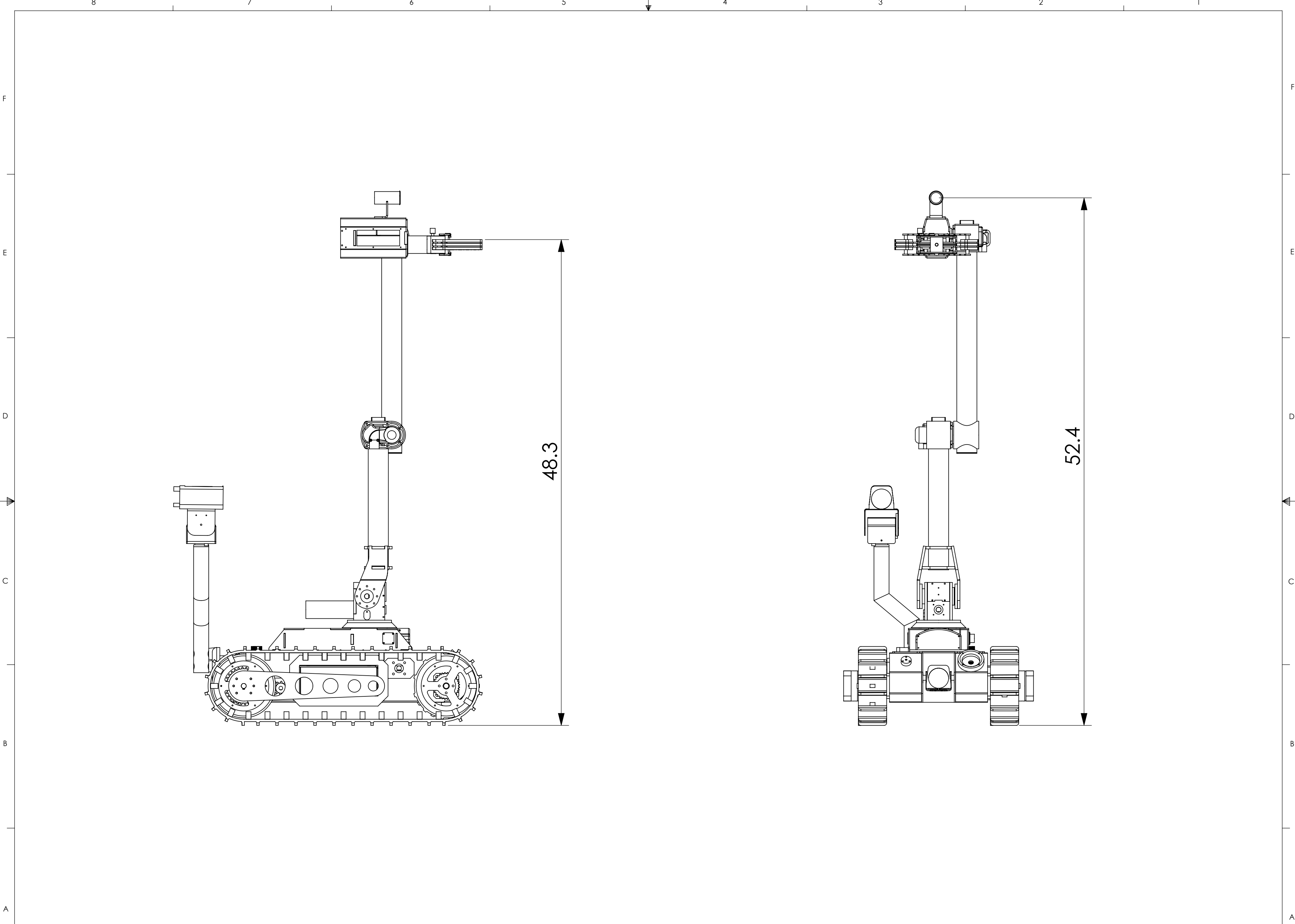
SCALE: 1:5

MATERIAL:

REV

**6/14/17**

SHEET 1 OF 5



**SUPERDROID ROBOTS INC**

Ph: 919-557-9162  
 Fax: 775-416-2595

**PROPRIETARY AND CONFIDENTIAL**

THE INFORMATION CONTAINED IN THIS DRAWING IS THE SOLE PROPERTY OF SUPERDROID ROBOTS INC. ANY REPRODUCTION IN PART OR AS A WHOLE WITHOUT THE WRITTEN PERMISSION OF SUPERDROID ROBOTS INC IS PROHIBITED.

UNLESS OTHERWISE SPECIFIED:  
 DIMENSIONS ARE IN INCHES  
 ANGULAR: 0.5 deg  
 TWO PLACE DECIMAL ±0.03  
 THREE PLACE DECIMAL ±0.005

COMMENTS:

SIZE

**C**

DWG. NO.

LT2-F\_arm\_Bulldog

REV

6/14/17

SCALE: 1:6

MATERIAL:

SHEET 5 OF 5